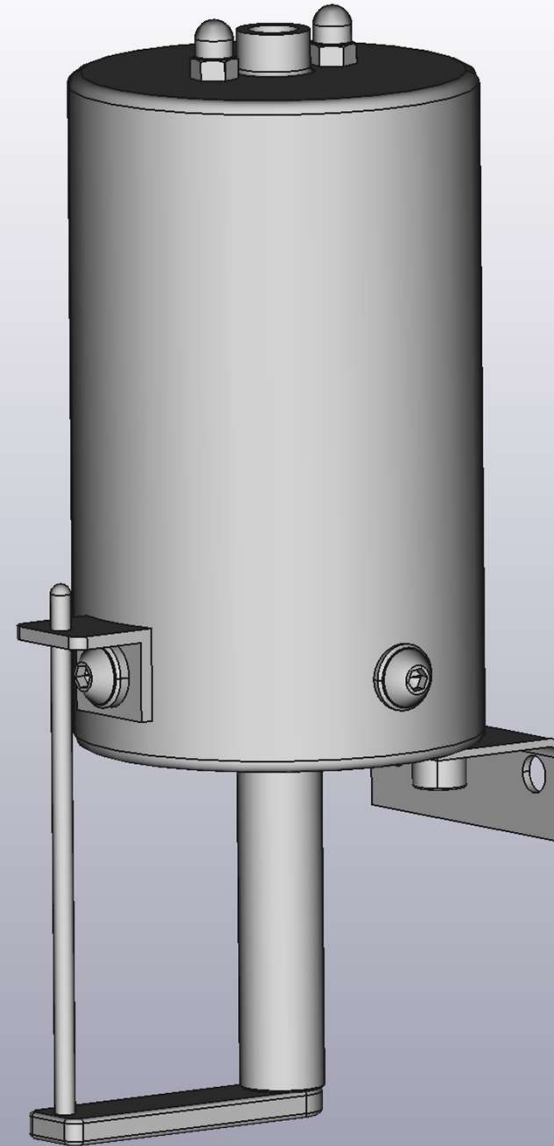


VVR27

Sealed variable volume hydraulic reservoir

General specifications

Volume	0,44L	27 in ³
Pressure when full: spring #1	0,34 bar	5 PSI
Pressure when full: spring #2	0,7 bar	10 PSI
Pressure when full: spring #3	1 bar	15 PSI
Operating temperature	-25°C +120°C	-13°F + 248°F
Connecting port	¼" NPT	→ Port must be facing up
Air bleed valve	Optional	
Instrumentation	Optional	
System Fill dry disconnect coupler	Optional	
Over pressure relief valve	Optional	
Side bracket	Optional	
Mounting	4 M8 x 1.25 bottom threaded holes	
Materials	Anodized aluminum, delrin & SS	
Overall dimensions	See 3D dwg (available upon request)	
Weight empty	1,2 kg	2.6 lb



www.variablevolumereservoir.com

