

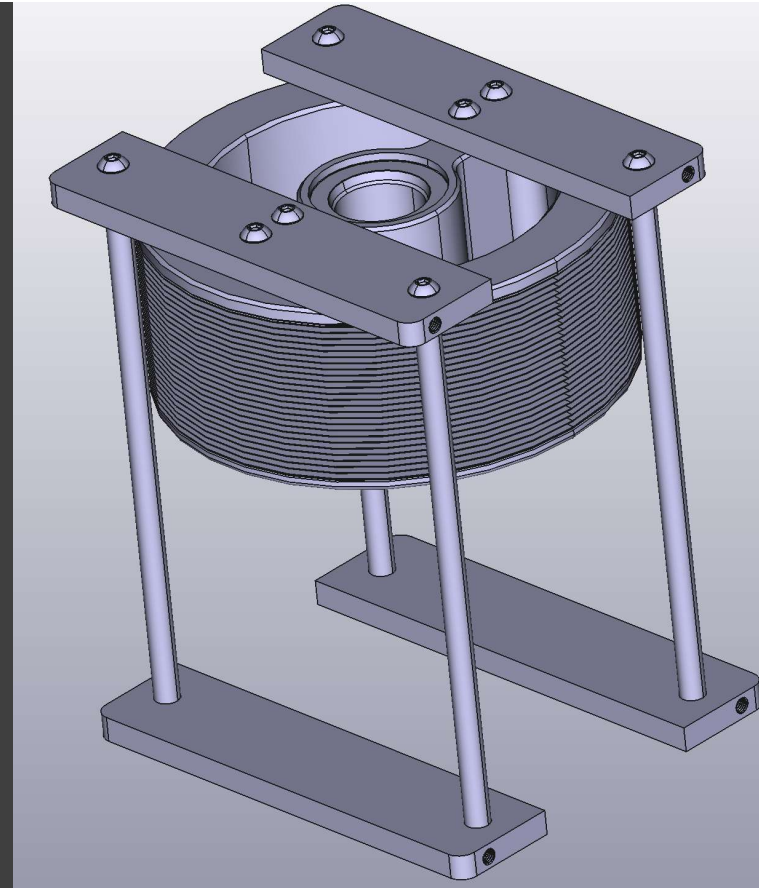
VVR150HP

Sealed variable volume hydraulic reservoir (*self pressurized*)

General specifications

Volume	2,5L	150 in ³
Pressure when full	0,62 bar	9 PSI
Operating temperature	-35°C +120°C	-31°F + 248°F
Interface ports	SAE-16	→ Port must be facing up
Air bleed valve	Optional	
Instrumentation	Optional	
System Fill dry disconnect coupler	Optional	
Over pressure relief valve	Optional	
Mounting	¼-28UNF	Qt.: 8 (see dwg)
Materials	Anodized aluminum & SS bellows-flange	
Overall dimensions	See 3D dwg (<i>available upon request</i>)	
Weight empty	8,4 kg	18.5 lb

Note: Customized volume available



www.variablevolumereservoir.com

