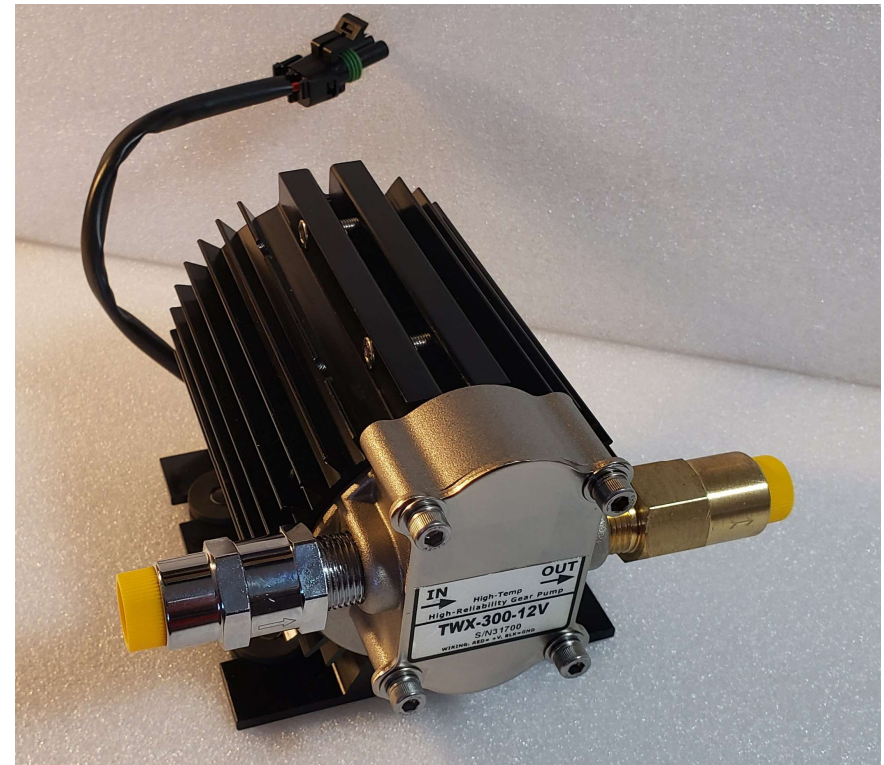


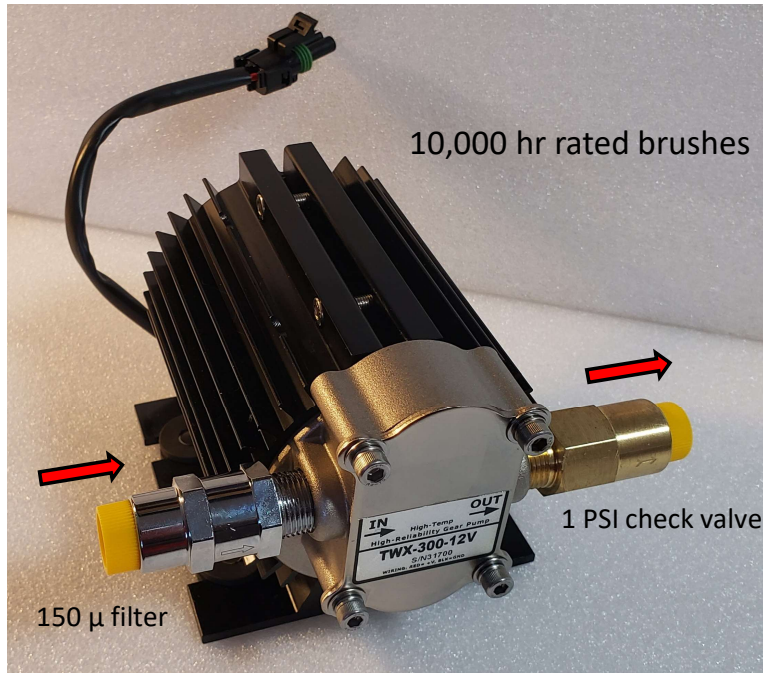


Smart Reservoir

Variable Volume Reservoir

Hydraulic network 9,5 lpm DC fill pump





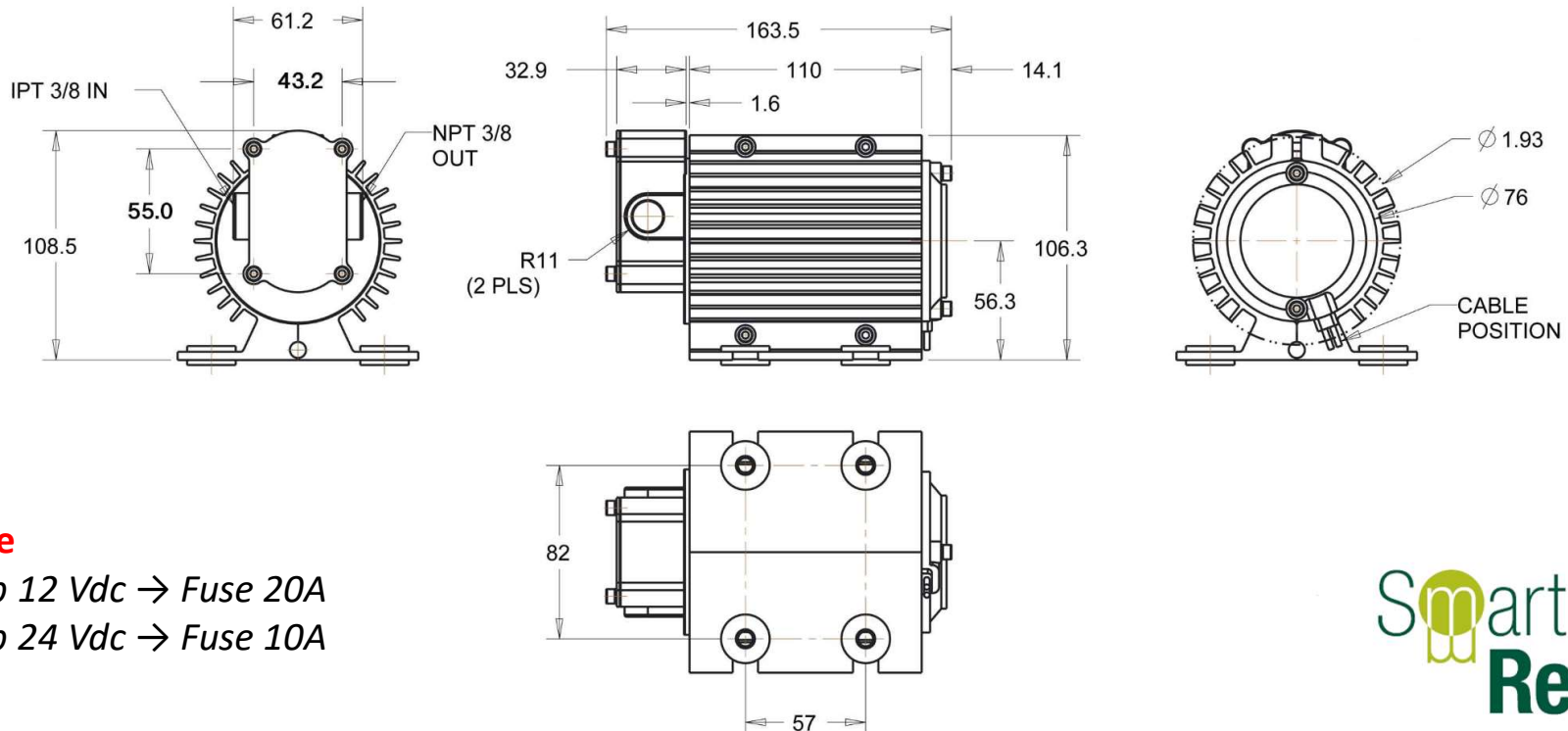
Filling pump

Specifications;

- 12Vdc / 5 A or 24 Vdc / 2.5A (tol. +25%) *
- Continuous duty heavy duty DC motor
- 2,5 GPM (9,5l/min) spur gear type
- 50 PSI (3,4 bar)
- 3/8" NPT
- 6 lb (2,2 kg)
- 350°F (175°C)
- The unit comes with a 2m high temperature jacketed cable with Delphi type mating connector

12 Vdc Model # TWX-300N-F-12V

24 Vdc Model # TWX-300N-F-24V



*Note

Pump 12 Vdc \rightarrow Fuse 20A

Pump 24 Vdc \rightarrow Fuse 10A

Notes:

On first use, pump must be primed with oil

Use a 20A fuse with a 12 Vdc system

Use a 10A fuse with a 24 Vdc system

Inlet filter can be put apart for cleaning
(150 μ SS wire mesh)

