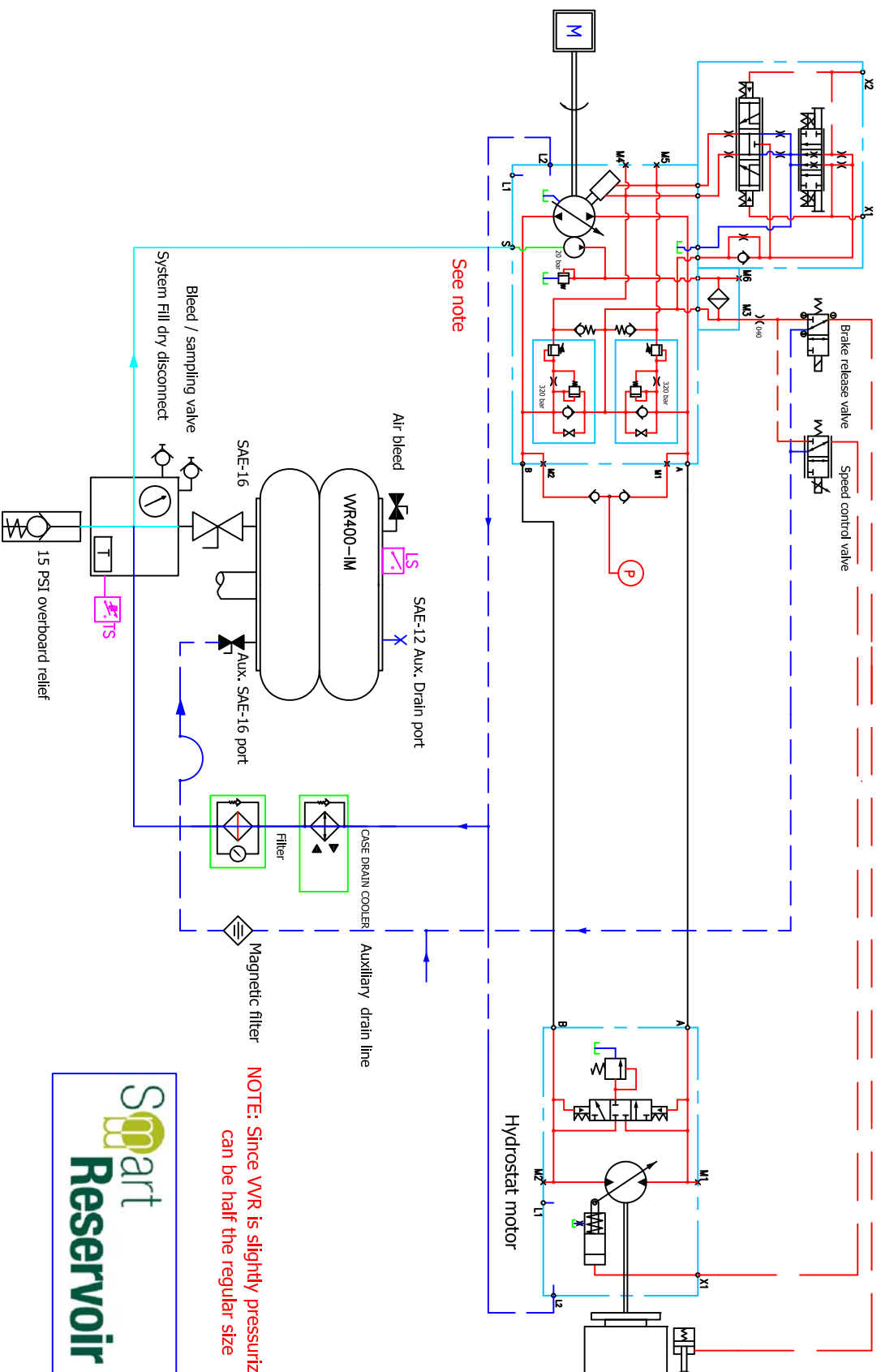


Typical hydrostatic circuit with VWR



See note

NOTE: Since VWR is slightly pressurized, the pump suction line can be half the regular size

