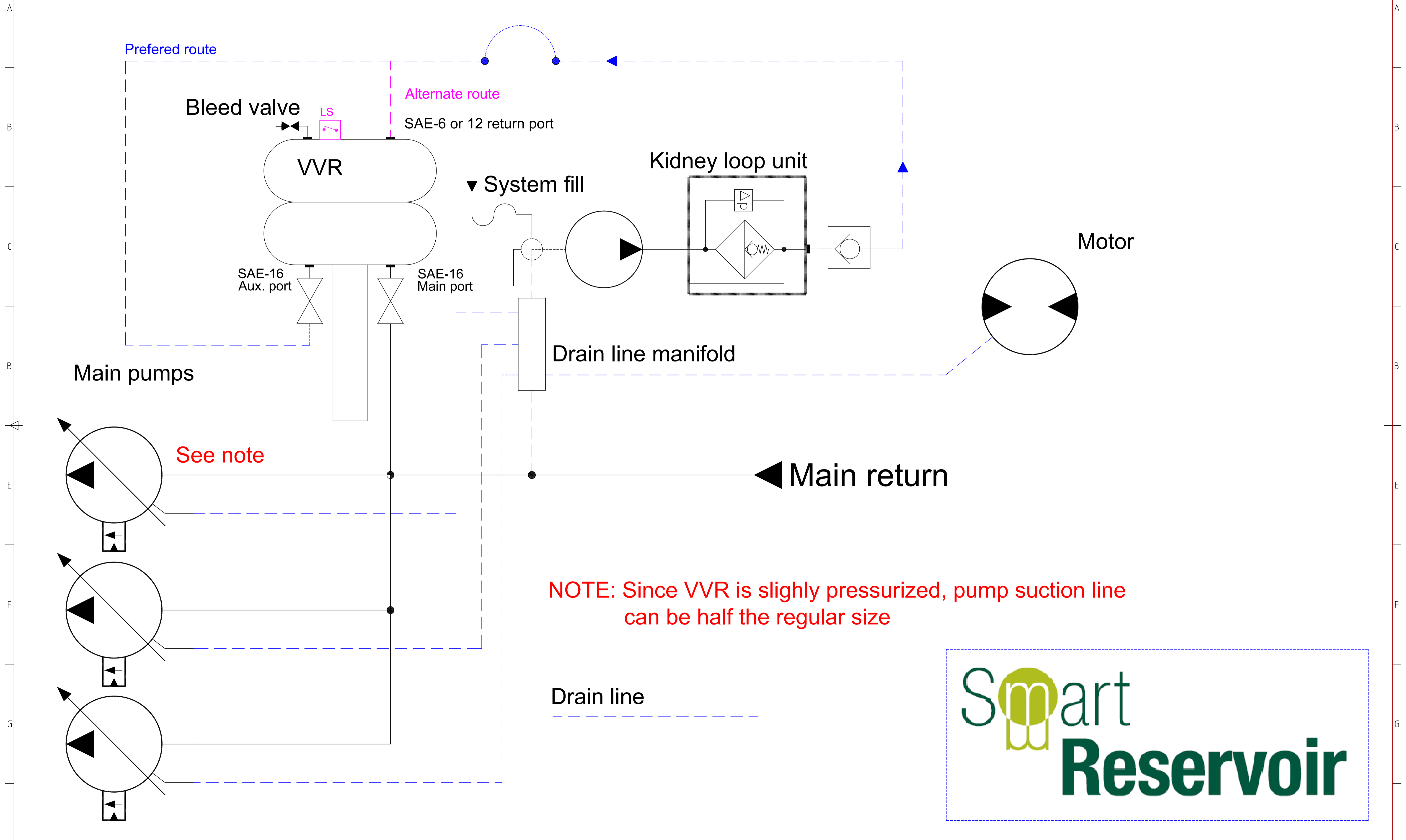


Typical symplified schematic using VVR with multiple pumps, motor and kidney loop unit



NOTE: Since VVR is slightly pressurized, pump suction line can be half the regular size



Itemref	Quantité	Title/Name, designation, material, dimension etc		Article No./Reference	
Designed by CS	Vérifié par CS	Approved by - date CS - 01/11/12	Nom de fichier XXX	Date Nov 01-2012	Echelle 1:1
Sobacor Inc.			VVR-Typical layout		
			VVR-	Edition 0	Feuille 1/1