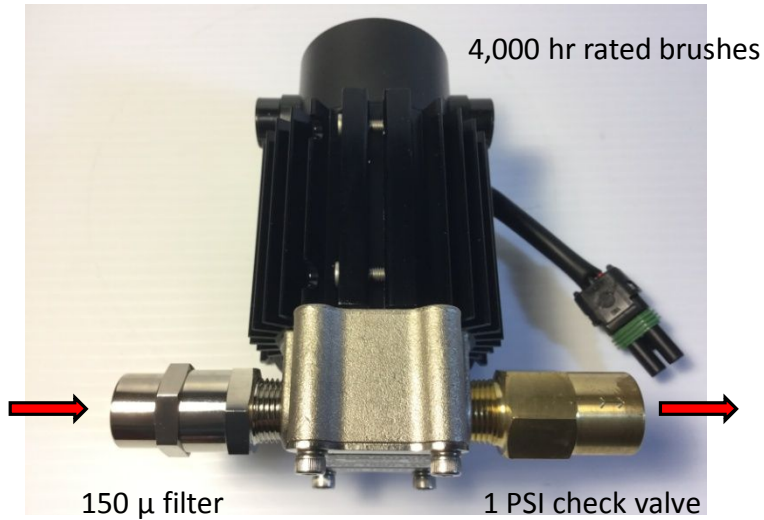




# Smart Reservoir

**Variable Volume Reservoir**

**Hydraulic network DC fill pump**



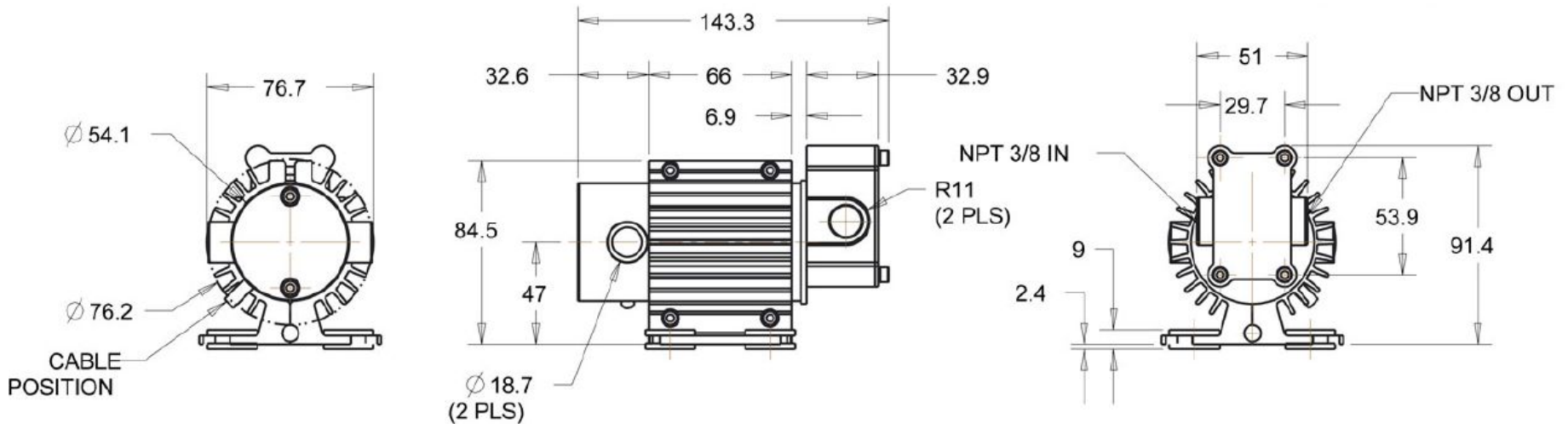
## Filling pump

### Specifications;

- 12Vdc / 3 A or 24 Vdc / 1.5A (tol. +25%) \*
- Continuous duty heavy duty DC motor
- 1 GPM ( 3,78 l/min) spur gear type
- 15 PSI ( 1 bar)
- 3/8" NPT
- 4 lb (1,8 kg)
- 350°F (175°C)
- The unit comes with a 2m high temperature jacketed cable with Delphi type mating connector

**12 Vdc Model # TWX-100N-F-12V**

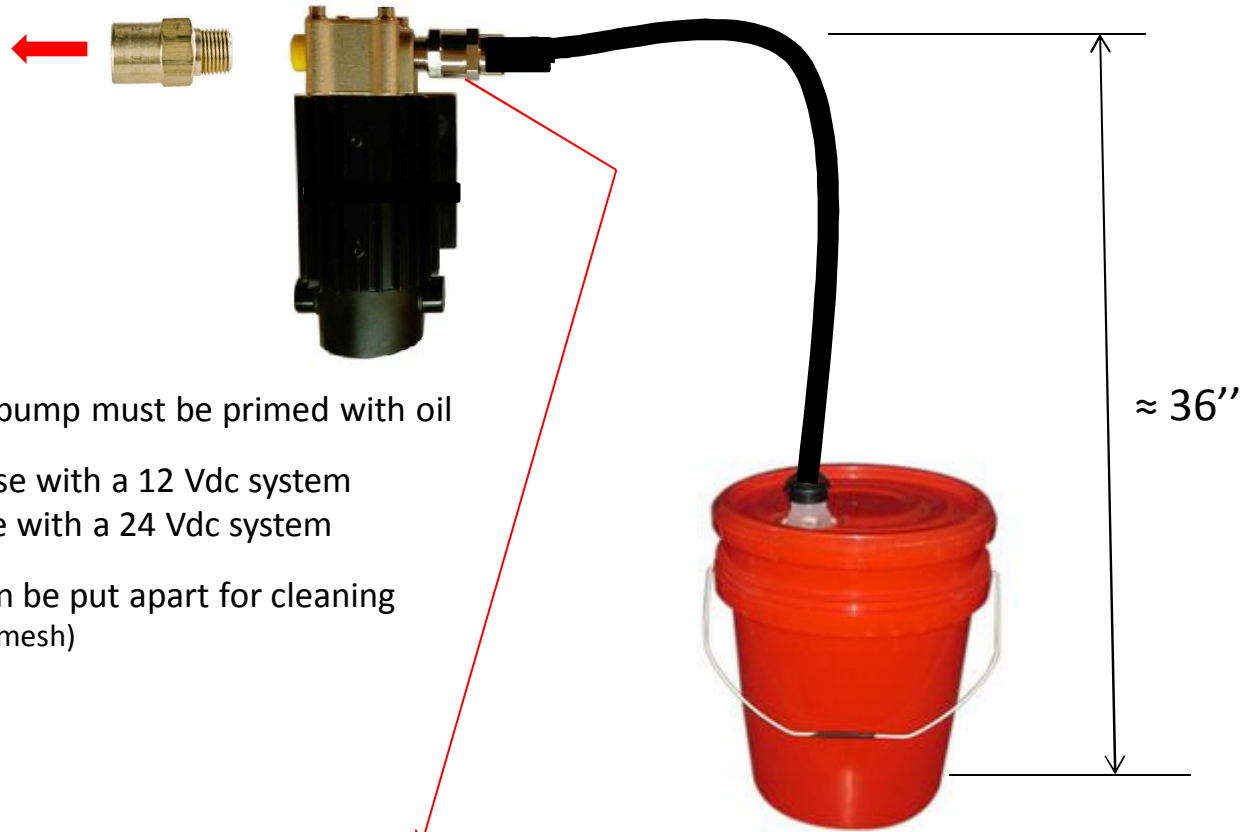
**24 Vdc Model # TWX-100N-F-24V**



### \*Note

Pump 12 Vdc  $\rightarrow$  Fuse 10A

Pump 24 Vdc  $\rightarrow$  Fuse 5A



**Notes:**

On first use, pump must be primed with oil

Use a 10A fuse with a 12 Vdc system

Use a 5A fuse with a 24 Vdc system

Inlet filter can be put apart for cleaning  
(150 $\mu$  SS wire mesh)

